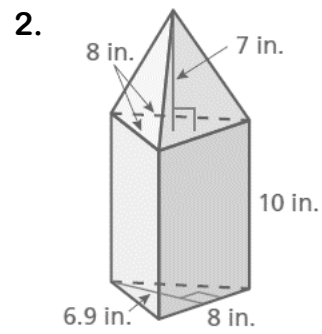
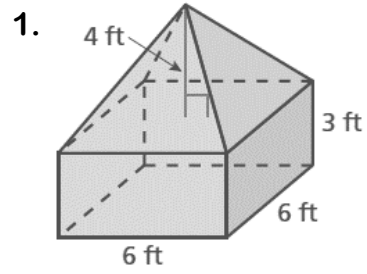


Name \_\_\_\_\_  
HW #9.7

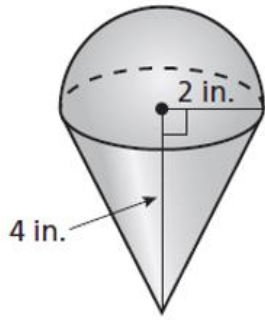
2 Sides

Date \_\_\_\_\_  
Period \_\_\_\_\_

Find the volume of each composite figure. Round to the nearest tenth if necessary.



3.



4.

